

innoSCAN II - 30

Features

- » High precision
- » Large Aperture
- » Sealed housing
- » Competitive price
- » Performance improvement



TECHNICAL SPECIFICATIONS

Input Aperture	30 mm
Wavelength	355, 532, 1064, 10600 nm
Tracking error time	0.58 ms
Writing Speed ^{1 2}	> 260 cps
Positioning Speed ¹	> 4 m/s
Typical Deflection	± 0.35rad
Resolution	16 bit
Repeatability (RMS)	< 20 µrad
Max. Gain drift ³	100 ppm/K
Max. Offset drift ³	50 µrad/K

¹ with F-theta-lens, f = 160 mm

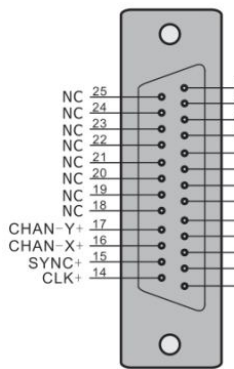
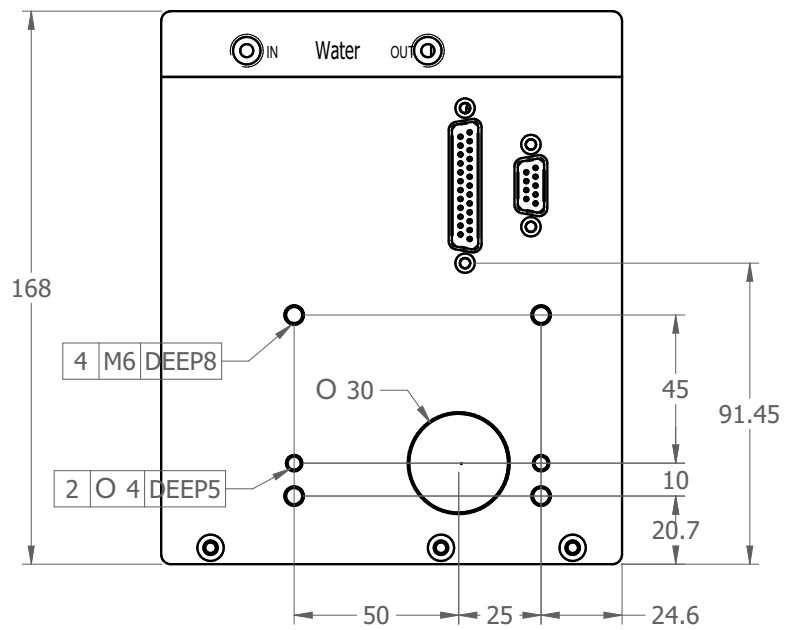
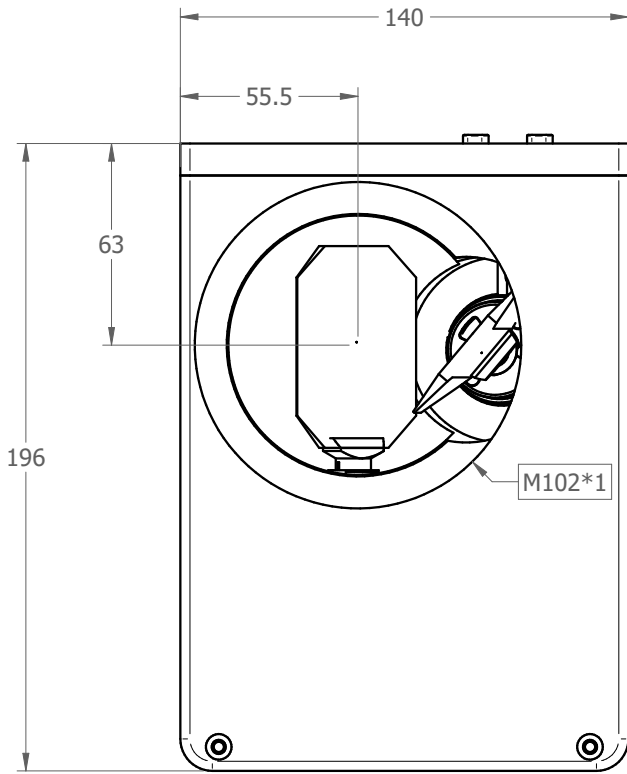
² Single-stroke font, 1 mm height

Long-Term Drift (8h) ³	< 8 mrad
Zero Offset	< 6 mrad
Digital Interface	XY2-100 Protocol
Analog Interface	±5V
Ambient Temperature	+15 to +35°C
Storage Temperature	-20 to +60°C
Humidity	≤ 80% Non-condensing
Voltage / Current	15 V ± DC / max. 3A
Weight	ca. 4.75 kg
Dimensions L x W x H	196 x 140 x 166 mm

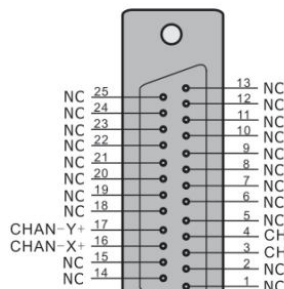
³ Drift per axis

⁴ After warming-up

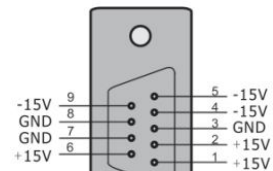
innoSCAN II - 30



(DIGITAL)



(ANALOG)



(POWER)