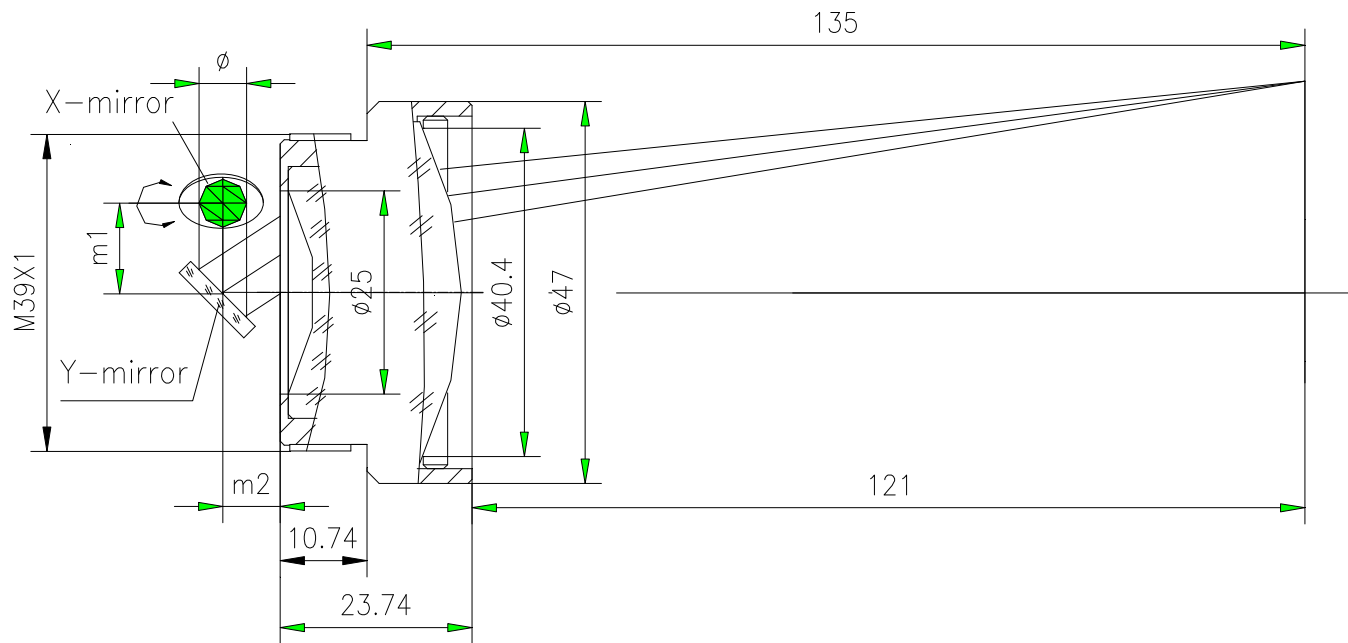


# F-Theta f=100mm

## Drawing No. SH39-1064-68-100-8



### Specification

EFL	100mm
WD	121mm
Wavelength	$\lambda = 1064\text{nm}$
scan angle	$\pm 27^\circ$
max scan field	68mm x 68mm
Entrance beam diameter $\phi$	8mm
Center point diameter ( $1/e^2$ )	$25 \mu\text{m}$
Edge point diameter ( $1/e^2$ )	$26 \mu\text{m}$
mirror distance $m_1$	10-12
mirror distance $m_2$	7-9
Transmission >	98%
Thread	M39x1
With protective window	no