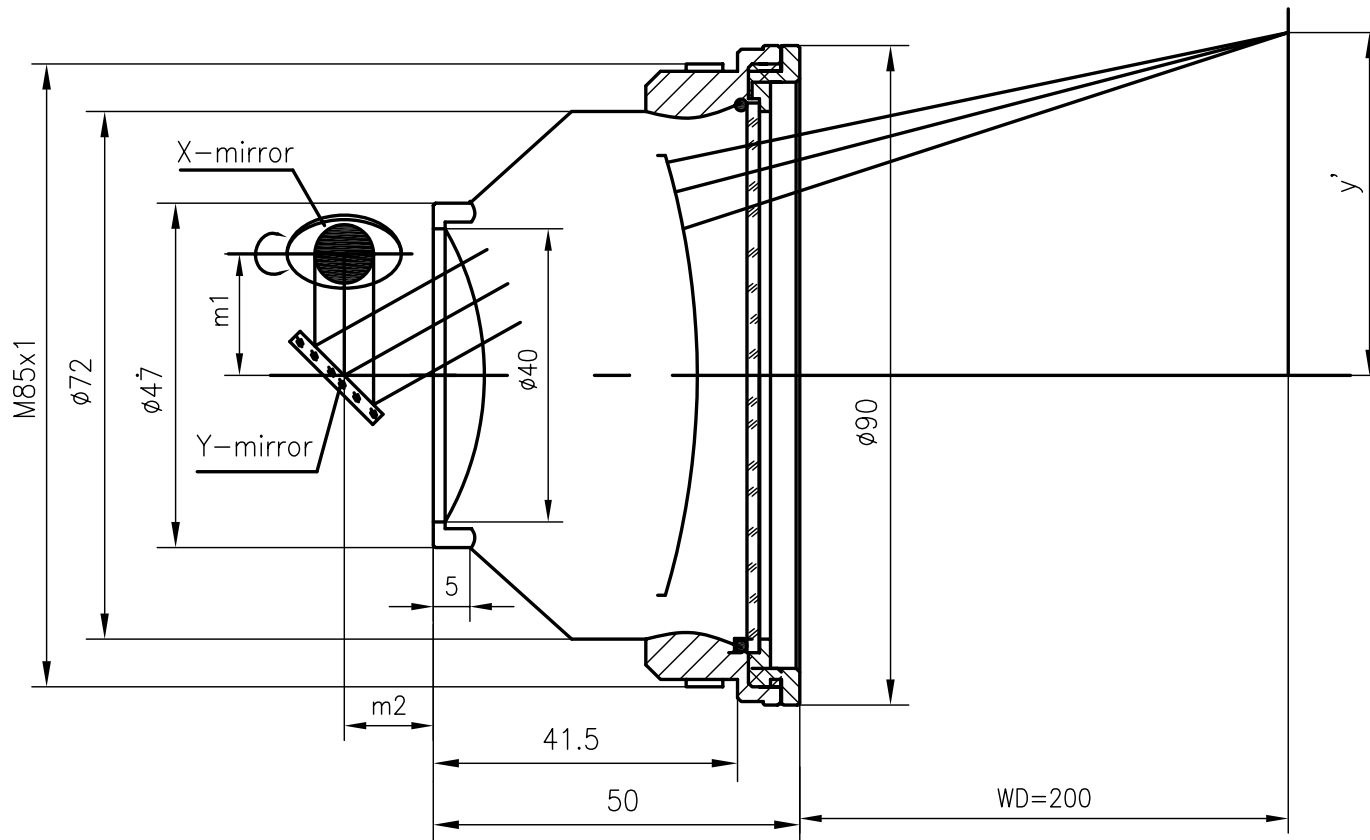


# F-Theta f=210mm

## Drawing No. SH-355-140-210-8



### Specification

EFL	210mm
WD	252mm
Wavelength	$\lambda = 355\text{nm}$
scan angle	$\pm 25^\circ$
max scan field	140mm x 140mm
Entrance beam diameter $\phi$	8mm
Center point diameter ( $1/e^2$ )	17 $\mu\text{m}$
Edge point diameter ( $1/e^2$ )	18 $\mu\text{m}$
mirror distance $m1$	16-20
mirror distance $m2$	10-12
Transmission >	96%
Thread	M85x1
With protective window	yes