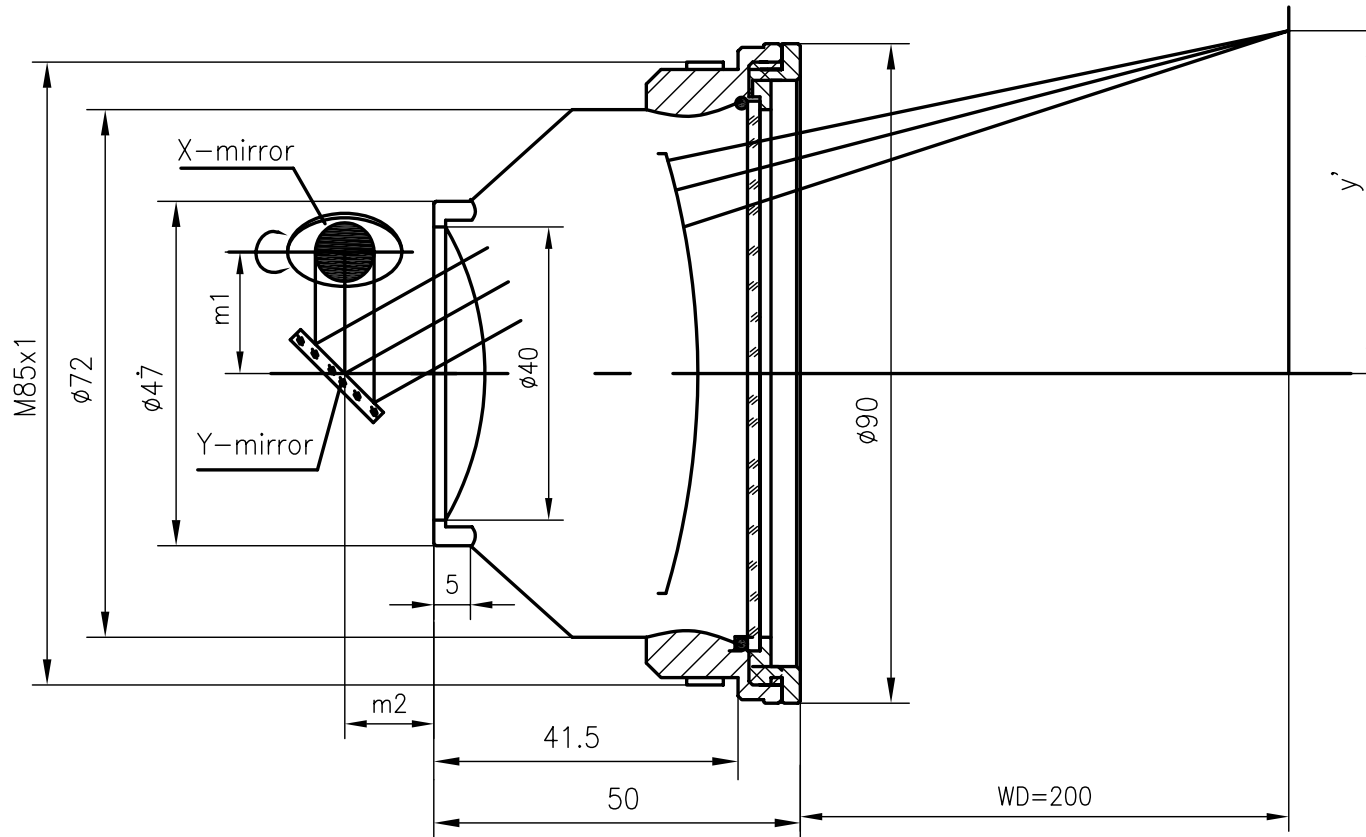


F-Theta f=160mm

Drawing No. SH-355-100-160-8



Specification

EFL	160mm
WD	200mm
Wavelength	$\lambda = 355\text{nm}$
scan angle	$\pm 25^\circ$
max scan field	100mm x 100mm
Entrance beam diameter \varnothing	8mm
Center point diameter ($1/e^2$)	15 μm
Edge point diameter ($1/e^2$)	16 μm
mirror distance m_1	16-18
mirror distance m_2	10-12
Transmission >	96%
Thread	M85x1
With protective window	yes