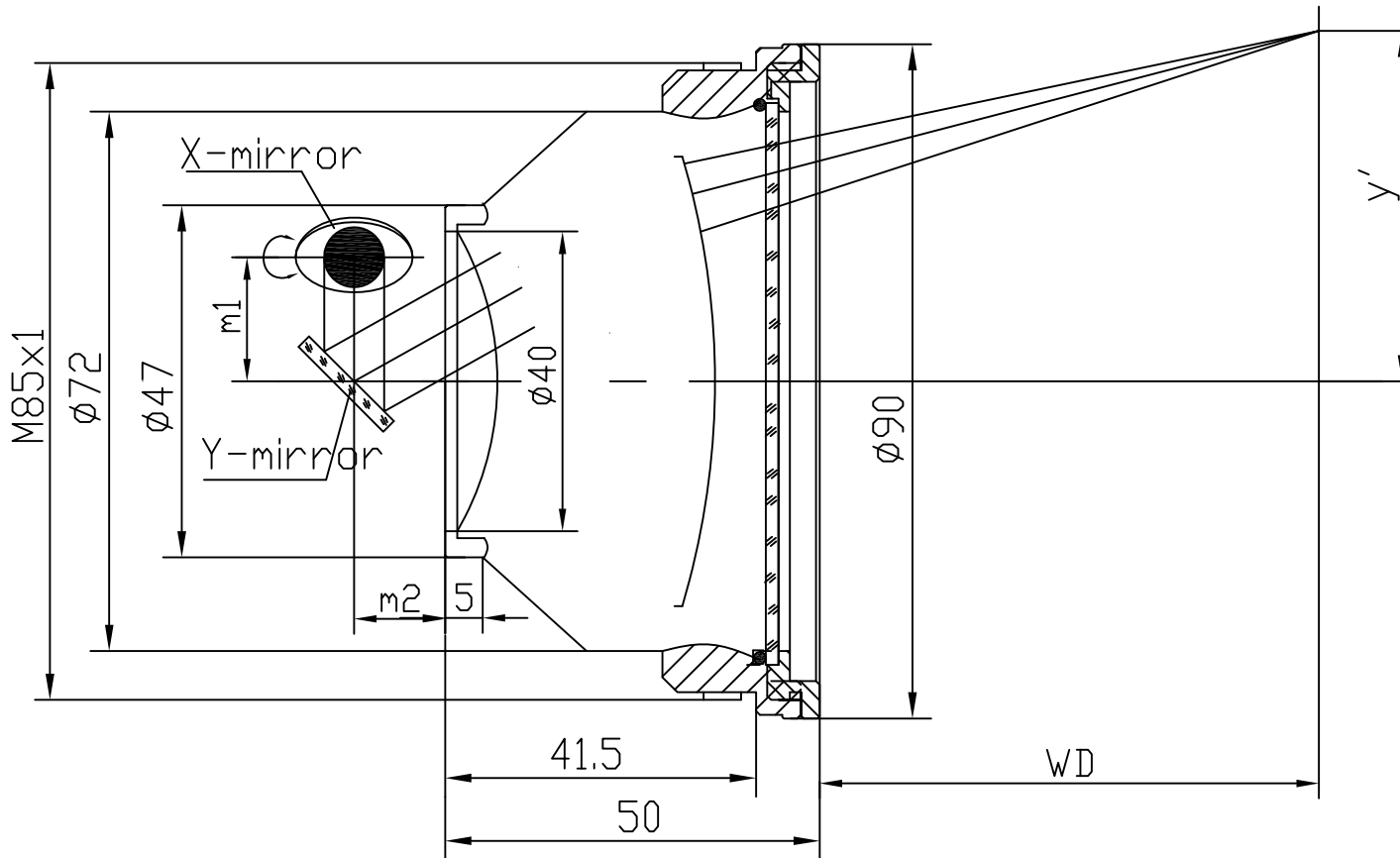


F-Theta f=380mm

Drawing No. SH-1064-250-380-12



Specification

EFL	380mm
WD	414mm
Wavelength	$\lambda = 1064\text{nm}$
scan angle	$\pm 28^\circ$
max scan field	250mm x 250mm
Entrance beam diameter ϕ	12mm
Center point diameter ($1/e^2$)	46 μm
Edge point diameter ($1/e^2$)	48 μm
mirror distance m_1	16-20
mirror distance m_2	10-12
Transmission >	97%
Thread	M85x1
With protective window	yes