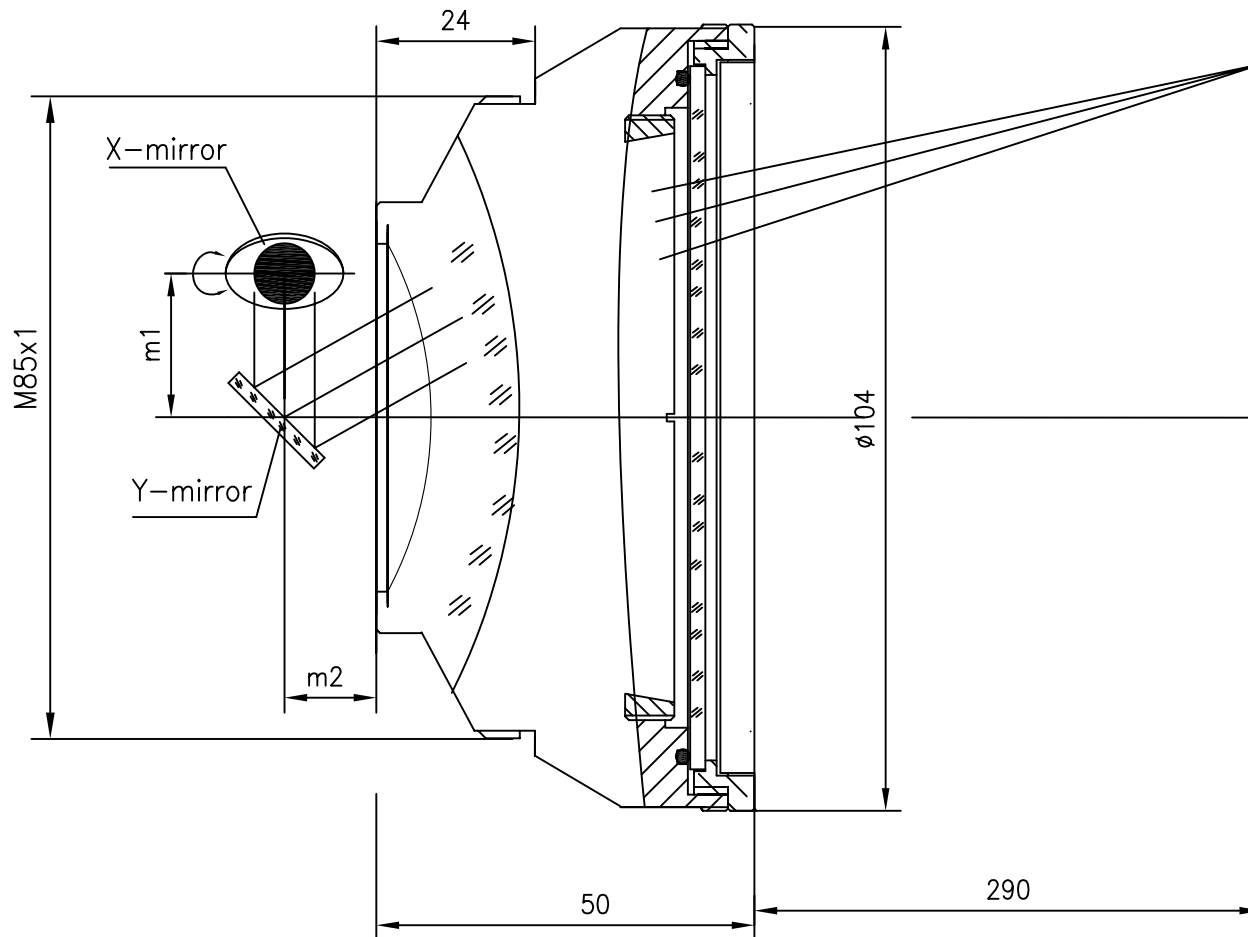


F-Theta f=254mm

Drawing No. SH-1064-175-254-20



Specification

| | |
|--------------------------------------|---------------------------|
| EFL | 254mm |
| S | 290mm |
| Wavelength | $\lambda = 1064\text{nm}$ |
| scan angle | $\pm 28^\circ$ |
| max scan field | 175mm x 175mm |
| Entrance beam diameter \varnothing | 20mm |
| Center point diameter ($1/e^2$) | 25 μm |
| Edge point diameter ($1/e^2$) | 26 μm |
| mirror distance m1 | 24 |
| mirror distance m2 | 18 |
| Transmission > | 97% |
| Thread | M85x1 |
| With protective window | yes |