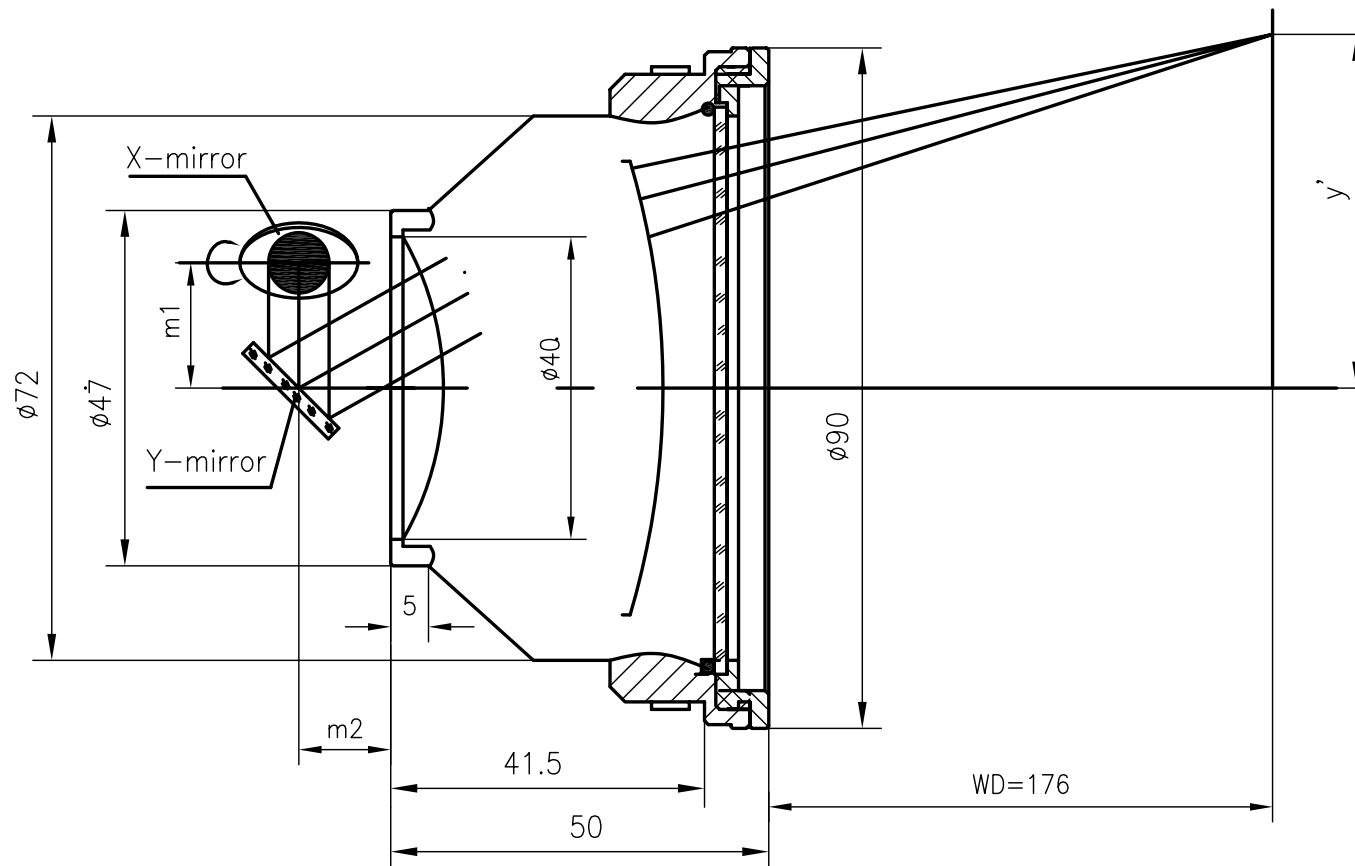


F-Theta f=160mm

Drawing No. SH-1064-110-160-12



Specification

EFL	160mm
WD	176mm
Wavelength	$\lambda = 1064nm$
scan angle	$\pm 28^\circ$
max scan field	110mm x 110mm
Entrance beam diameter ϕ	12mm
Center point diameter ($1/e^2$)	26 μm
Edge point diameter ($1/e^2$)	27 μm
mirror distance m1	16-20
mirror distance m2	10-12
Transmission >	98%
Thread	M85x1
With protective window	yes