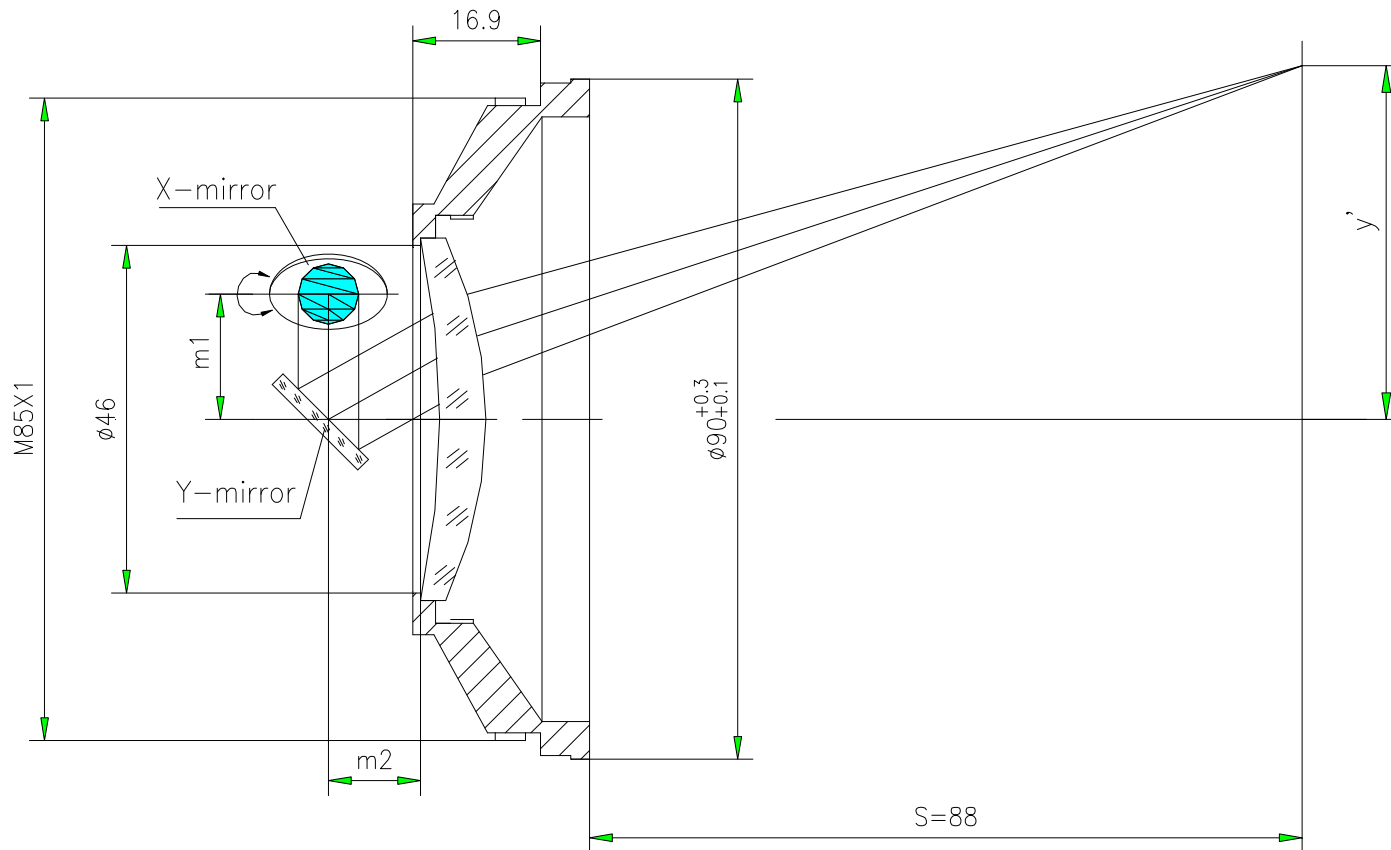


# F-Theta f=100mm

## Drawing No. SH-10,6-48-70-100-14



### Specification

|                                      |                              |
|--------------------------------------|------------------------------|
| EFL                                  | 100mm                        |
| S                                    | 88mm                         |
| Wavelength                           | $\lambda = 10,6 \mu\text{m}$ |
| scan angle                           | $\pm 28^\circ$               |
| max scan field                       | 70mm x 70mm                  |
| Entrance beam diameter $\varnothing$ | 14mm                         |
| Center point diameter ( $1/e^2$ )    | 146 $\mu\text{m}$            |
| Edge point diameter ( $1/e^2$ )      | 170 $\mu\text{m}$            |
| mirror distance m1                   | 16-20                        |
| mirror distance m2                   | 10-12                        |
| Transmission >                       | 97%                          |
| Thread                               | M85x1                        |