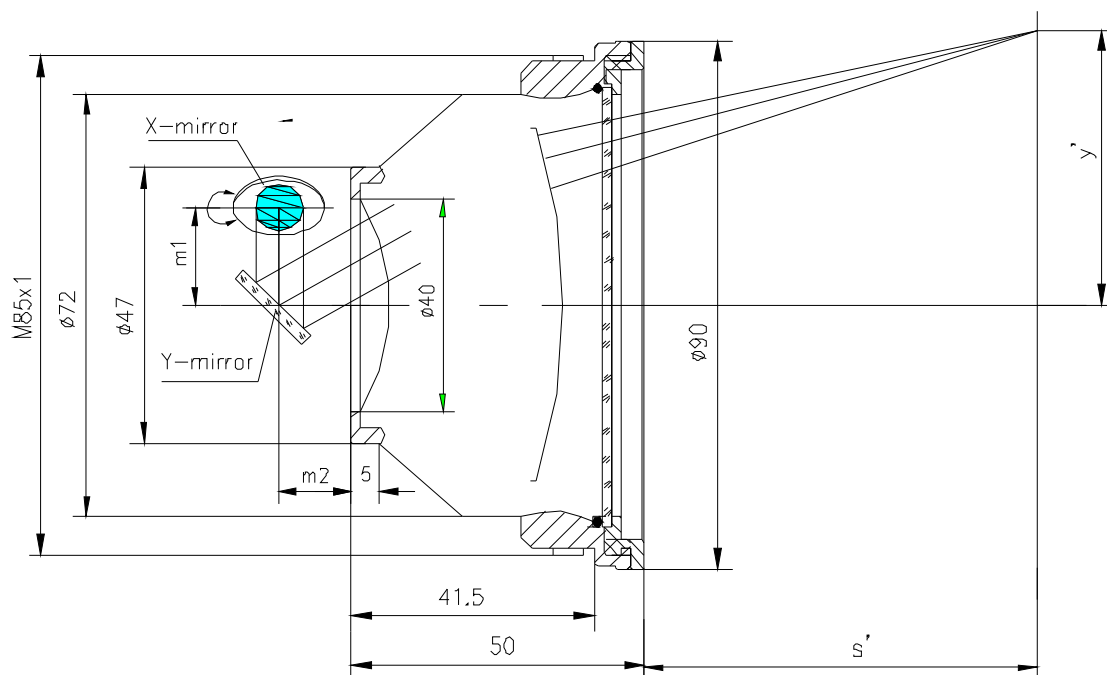


## F-Theta Lens

### Wavelength 1064nm

Item No.	Focal Length (mm)	Back Working (mm)	Wavelength (nm)	Scan Field (mm)	Scan Angle	Entrance Diameter (mm)	Focus Size (µm)	Mirror Distances m1 / m2 (mm)	Thread
SH-1064-50-63-12	63	78	1064	50x50	±25°	12	10	16/10	M85X1
SH-1064-70-100-12	100	114,6	1064	70x70	±28°	12	16	16/10	M85X1
SH-1064-110-160-12	160	176	1064	110x110	±28°	12	26	16/10	M85X1
SH-1064-145-210-12	210	232,5	1064	145x145	±28°	12	24	16/10	M85X1
SH-1064-150-225-12	225	250	1064	150x150	±28°	12		16/10	M85X1
SH-1064-175-254-16	254	284	1064	175x175	±28°	12	41	16/10	M85X1
SH-1064-200-290-16	290	324	1064	200x200	±28°	12		16/10	M85X1
SH-1064-230-330-16	330	346	1064	230x230	±28°	12	40	16/10	M85X1
SH-1064-250-380-16	380	467	1064	250x250	±28°	12	46	16/10	M85X1
SH-1064-300-420-16	420	465	1064	300x300	±28°	12	70	16/10	M85X1



m1=16-20, m2=12-16